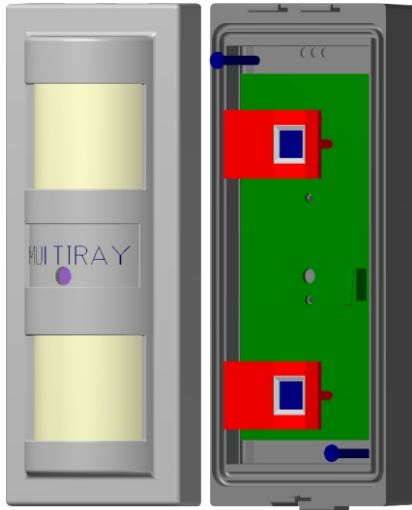


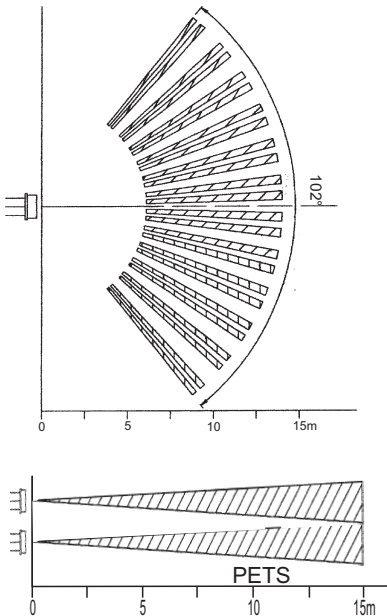
# MULTIRAY OUTDOOR ALARM SYSTEM W685W - SERIES

WALL PLUGS MOUNTING



0° 1.4M pet height  
from centre of PIR

Coverage Pet Area



## SPECIFICATIONS

1. Operating Voltage: 9 -16 volts DC.
2. Operating current: 15mA stand-by.
3. Tamper switch internally connected.
4. Three wireless PIRS optional.
5. Temperature Range: -10°C to +65°C.
6. Walk Test: LED switchable.
7. Dimensions: 195 x 85 x 60mm.
8. 1.2m height normal installation.
9. 1.4m height pet avoidance.
10. Viewing Angle: 102° 8-12M range.
11. Warm Up Period: 20 seconds.
12. System UV protected.
13. Battery low diagnostics.

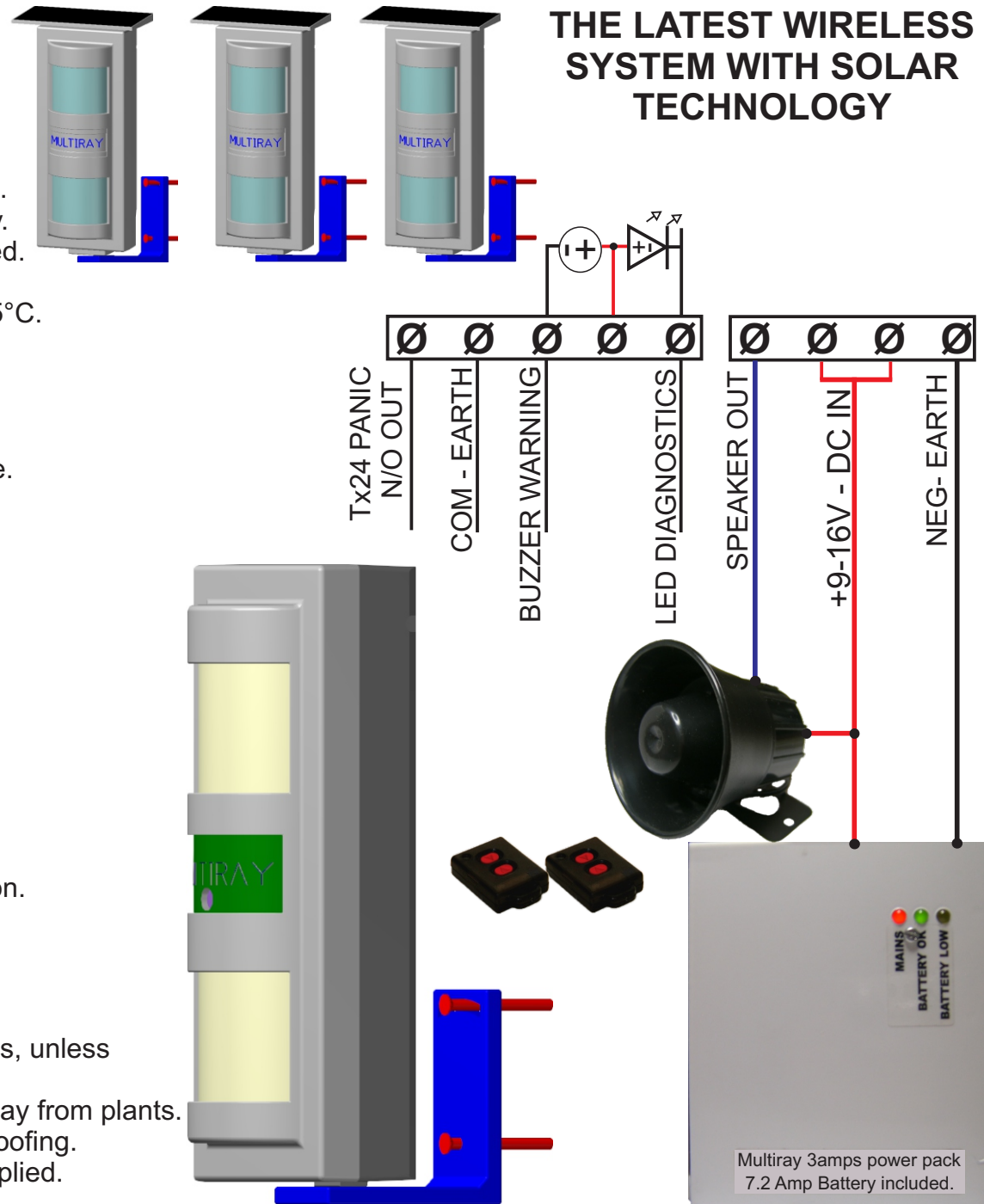
## FEATURES

1. Outdoor & indoor installation.
2. Dual optical infrared detection.
3. Digital low frequency filtering.
4. Auto sensitivity control.
5. Latest technology on PIR detection.
6. System learns up to - 7remotes.
7. 24 months local factory warranty.
8. Free installers training.

### Installation Notes:

- \*Do not install unit facing public roads, unless property has high walls.
- \*Unit must be installed 2m radius away from plants.
- \* Front center screw is for tamper proofing.
- \*To adjust direction, use bracket supplied.
- \*99% immunity to false alarms.
- \*Alternative full coverage lens available.

## THE LATEST WIRELESS SYSTEM WITH SOLAR TECHNOLOGY



Receiver base station

Multiray 3amps power pack  
7.2 Amp Battery included.